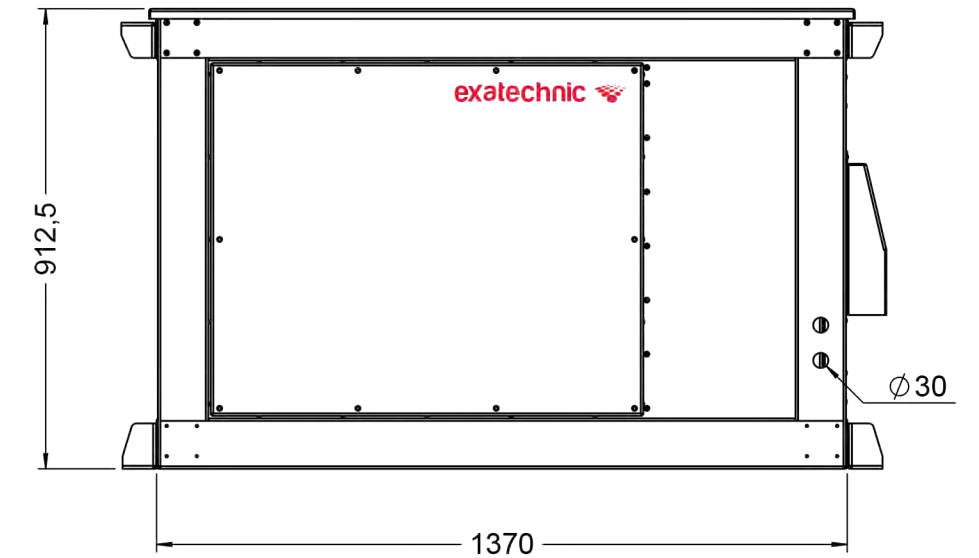
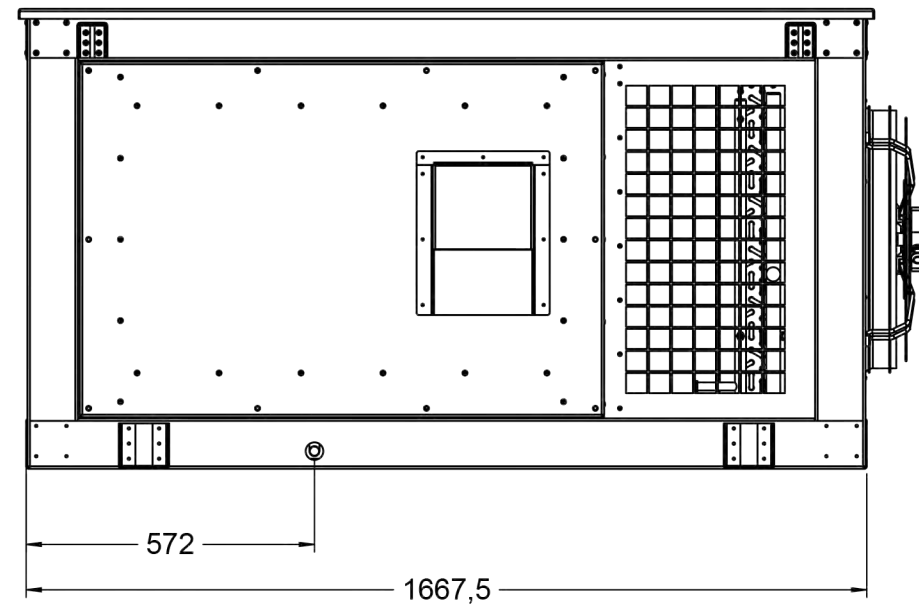
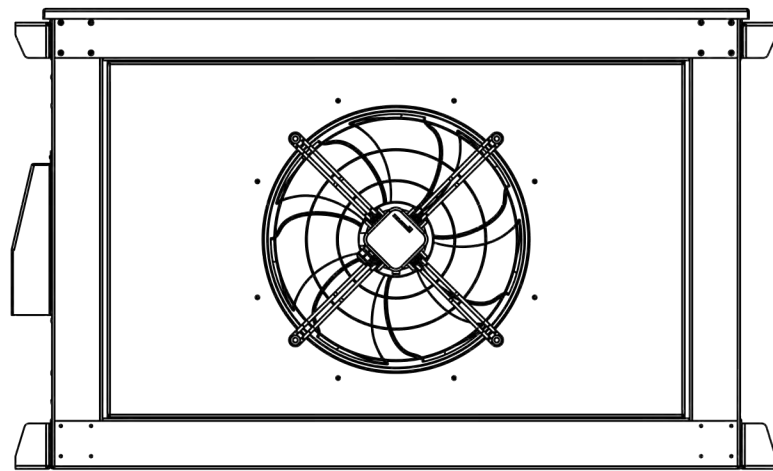
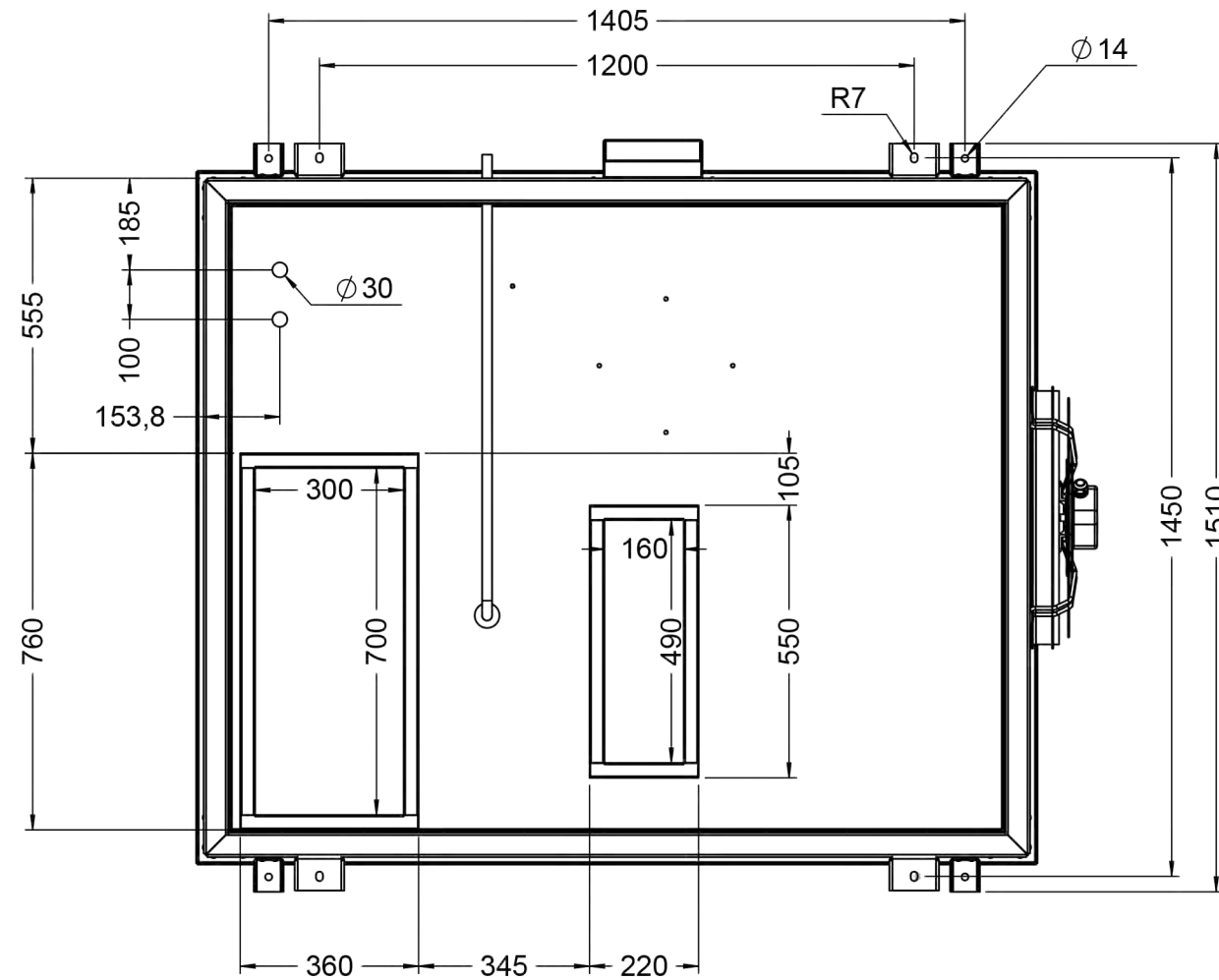


EXATECHNIC
INDUSTRIAL AIR CONDITIONER
ALUMINIUM MADE
for Shelter and container application



Descrizione revisione/Revision description	Data rev./Rev. date	Toll. generali/General tolerances	A4	Scala/Scale	1:15	Data/Date
		Assiemi saldati/Welded assemblies UNI EN ISO 13920-BF		Foglio/Sheet	1/2	05/07/2016
Trattamento Superficiale/Surface treatment		Assiemi rivettati/Riveted assemblies UNI EN 22768-mL		Peso/Weight [kg]	330	Disegnato/Drawn M.CARIATI
exatechnic	Progetto/Job RT 15X D HP			Configurazione/Configuration Default		Approvato/Approved
	Descrizione/Description DIMENSIONAL DRAWING			Codice/Code		Dis. N°/Dwg Nr. Rev.